

DISTR/CONTR: \_\_\_\_\_

CONTACT: \_\_\_\_\_

JOB NAME: \_\_\_\_\_

PHONE/EMAIL: \_\_\_\_\_

DATE RCVD.: \_\_\_\_\_

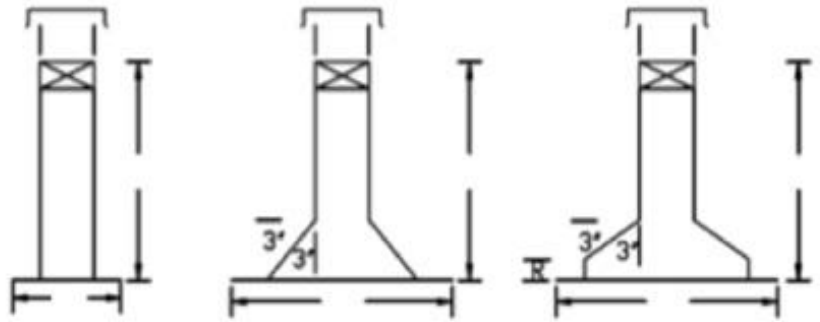
# Equipment Rails Quote Form

## Standard Construction

- 18 Gauge Galvanized
- Fully Welded Construction
- 2" Flange Out

## Optional Features

- Wood Nailer



Straight Rail (SR)

Canted Rail (CR)

Raised Canted Rail (RCR)

TYPE	QTY	LENGTH	WITDTH	HEIGHT	PRICE/TAX: Y/N

PO# : \_\_\_\_\_

SHIP TO: \_\_\_\_\_

EXPECTED DATE: \_\_\_\_\_